



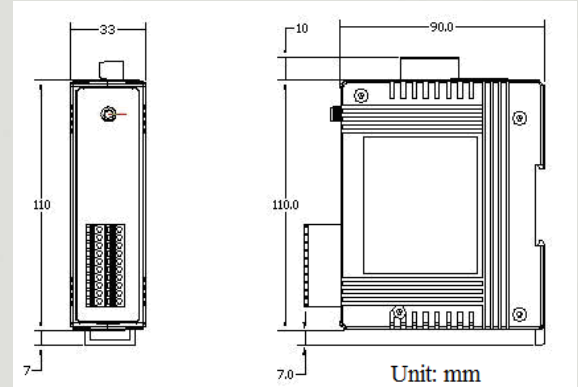
Wi-Fi Series Products



Wi-Fi Data Acquisition I/O Module (16 DO)



WF-2042



Dimensions

The WF-2042 is a 16-channel isolated digital output module and it is one of the members of the WF-2000 wireless product family. In addition, the WF-2042 has WLAN connection complies with the IEEE802.11b/g standards. With the popularity of 802.11 network infrastructure, the WF-2042 makes an easy way to incorporate wireless connectivity into monitoring and control systems. The WF-2042 also supports Modbus/TCP and UDP protocols and the network encryption configuration, which makes perfect integration to SCADA software and offer easy and safe access for users from anytime and anywhere.

Features

- Support sink type digital output
- Compatible with IEEE 802.11b/g standards
- Support Infrastructure and Ad hoc modes
- Support WEP, WPA and WPA2 wireless encryption
- Support Modbus/TCP and UDP protocols
- Support DHCP network configuration
- Built-in Watchdog
- Wide Operating Temperature Range
- 4 kV ESD Protection

Utility Features

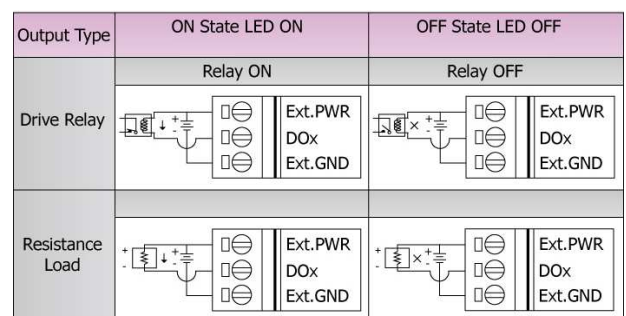
WF-2000 I/O Utility provides a simple way to easily test and instant acquire data for all ICPDAS Wi-Fi I/O series modules without programming

- Easily and quickly configure and control
- Provide Auto-Search device function
- Provide I/O monitor screen
- Provide parameter storage interface
- Provide encryption configuration for wireless LAN

Pin Assignment

Pin Assignment Name	Terminal No.	Pin Assignment Name
EXT.GND	20	19
DO8	18	17
DO9	16	15
DO10	14	13
DO11	12	11
DO12	10	9
DO13	8	7
DO14	6	5
DO15	4	3
EXT.PWR	2	1

Wire Connection





Hardware Specifications

Digital Output	
Channels	16, Sink(NPN)
Output Voltage	+3.5 ~ +50 V
Output Current	700mA per channel
Intra-module Isolation, Field to Logic	3750 VDC
Overvoltage Protection	60 VDC
Wi-Fi Interface	
Antenna	5 dBi (Omni-Directional)
Output Power	8 dBm @ 11Mbps
Receive Sensitivity	-83 dBm @ 11Mbps
Standard Supported	IEEE 802.11b/g
Wireless Mode	Infrastructure & Ad-hoc
Encryption	WEP, WPA and WPA2
Transmission Range	50 meters (LOS)
Power	
Input Voltage Range	10V ~ 30V
Power Consumption	1.5W
Mechanism	
Installation	DIN-Rail
Dimensions	110mm x 106mm x 33mm (H x W x D)
Environment	
Operating Temperature	-25°C ~ +75°C
Storage Temperature	-30°C ~ +80°C
Humidity	10% ~ 90%

Applications



Ordering Information

WF-2042 CR

Wi-Fi I/O Module with 16-channel Isolated Digital Output (RoHS)